

Technical Specification - GreaseShield® 1850 AST



**AUTOMATED
SOLIDS TRANSFER
FOR SOLID WASTE
SEPARATION**

GreaseShield®

The Grease Management Solution

APPLICATIONS

- Hood Type Dishwashers
- Under Counter Dishwashers

FLOW RATES & CERTIFICATION

- Pro-Active Flow Rate - 1.85 L/sec
- ASME Certification
- PDI Certification
- CSA Certification
- EN 1825 Certification

STANDARD FEATURES & FUNCTIONS

- Automatic FOG & solids removal
- Self cleaning
- Magnetic baffle for bioremediation
- PLC controlled
- Non restricted Vortex Flow Control device
- Reverse flow configuration
- Grey water Recirculation
- Space Saver Running Trap & Sampling Point
- Globally certified award winning technology
- The only Green Certified grease trap in the world



**Environmental
Products and Services Ltd**

Award Winning Technology

Plumbing Connections

| | |
|--------------------|-----------|
| Inlet | 1" ½/40mm |
| Invert Inlet | 1" ¼/32mm |
| Outlet | 2"/54mm |
| Decant Outlet | ¾"/18mm |
| Hot Water Solenoid | ¾"/22mm |

Electrical Ratings

| | USA | UK,EU,AU,NZ |
|-----------|-------|-------------|
| Voltage | 120v | 230v |
| Frequency | 60Hz | 50Hz |
| Current | 0.98A | 0.49A |

Standard Operational Times

| | |
|--------------------|---------------|
| Days of Operation | 7 Days a Week |
| Hours of Operation | 07:00-02:30 |

Note: Operational times should be adjusted to suit the needs of the kitchen

Average Power Consumption

47.6W Per Hour

CERTIFICATIONS & APPROVALS

- Global GreenTag LCA Rate Gold Certification
- PDI G101 (Plumbing & Drainage Institute)
- ASME A112.14.3 & A112.14.4 (American Society of Mechanical Engineers)
- NSF International (National Sanitation Foundation)
- CSA (Canadian Standards Association) - Grease Interceptors
- UL (Underwriters Laboratory)
- IAPMO (International Association of Plumbing and Mechanical Officials) Uniform Plumbing Code Certification Mark
- UKCA (UK Conformity Assessed)
- CE - Conformity with Health, Safety and Environmental Protection \ Standards with the European Economic Area (EEA)
- EN1825 (European Standard for Grease Separators)
- KIWA (ETA DK, Swedac & SINTEF) - Sweden, Norway and Finland. European Institution for Testing, Inspection and Certification
- SHASE-S 217:2016 (Japanese Grease Management Standard for Grease Interceptors)

V9 22/11/2021

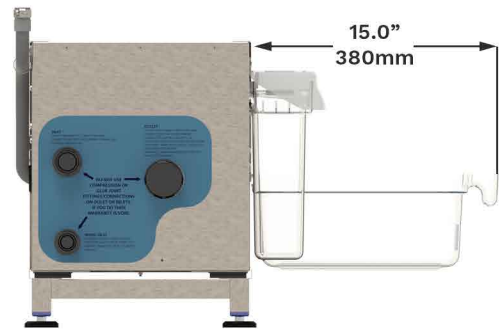
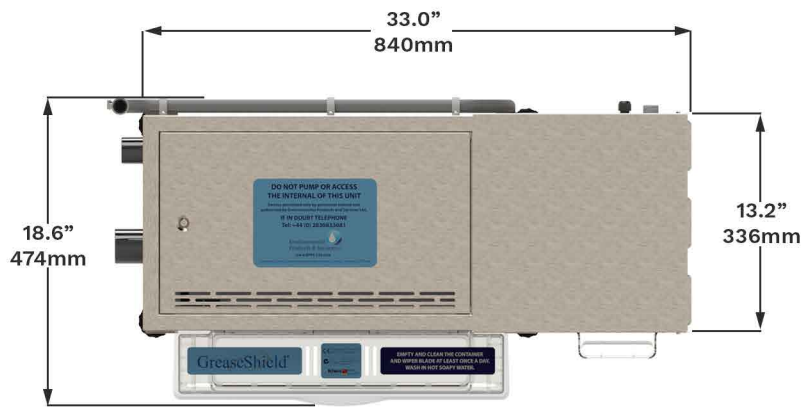
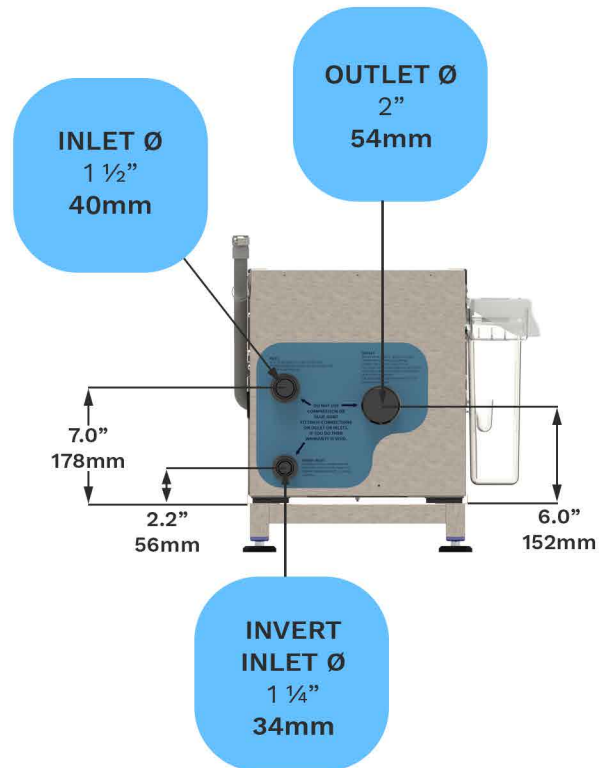
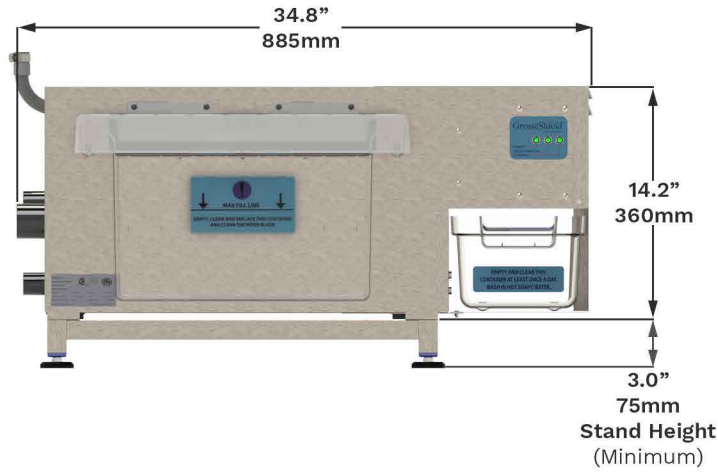
www.GreaseShield.com

HEAD OFFICE +44 (0) 28 3083 3081

sales@epas-ltd.com

GB OFFICE +44 (0) 161 477 5555

Technical Specification - GreaseShield® 1850 AST



Environmental Products and Services Ltd

Award Winning Technology

www.GreaseShield.com

HEAD OFFICE +44 (0) 28 3083 3081

sales@epas-ltd.com

GB OFFICE +44 (0) 161 477 5555

V9 22/11/2021